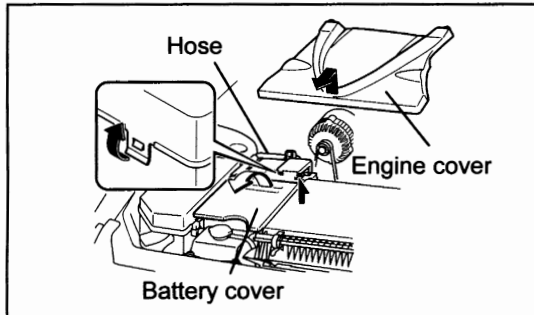


1. VEHICLE PARTS REMOVAL

NOTE

- The procedure described here is for a right-hand drive vehicle, however, the procedure is the same for a left-hand drive vehicle.

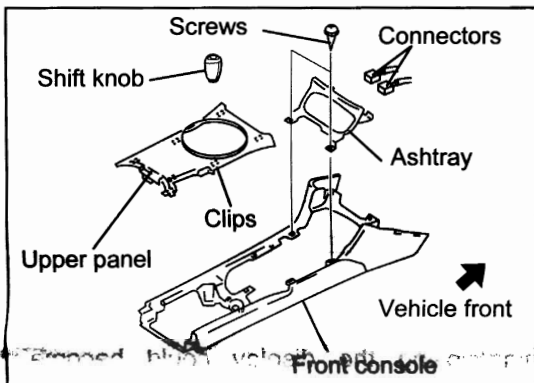


BATTERY COVER REMOVAL

1. Remove the engine cover.
2. Remove the hose from the battery cover.
3. Remove the battery cover by lifting up from the rear.

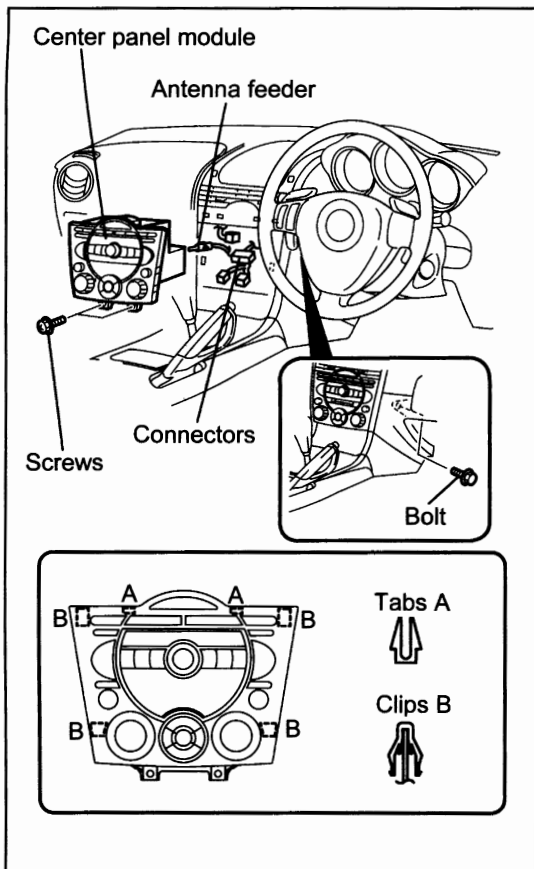
⚠ WARNING

- A short circuit while performing work may cause damage to parts, electric shock or other injury. Be sure to disconnect the negative battery cable and do not allow the terminal to contact any other parts.



UPPER PANEL AND ASHTRAY REMOVAL

1. Remove the shift knob.
2. Disengage the upper panel clips (6) using a tape-wrapped flathead screwdriver, and remove the upper panel from the front console.
3. Remove the ashtray screws (2).
4. Disconnect the connector and remove the assist tray from the front console.



CENTER PANEL MODULE REMOVAL

⚠ CAUTION

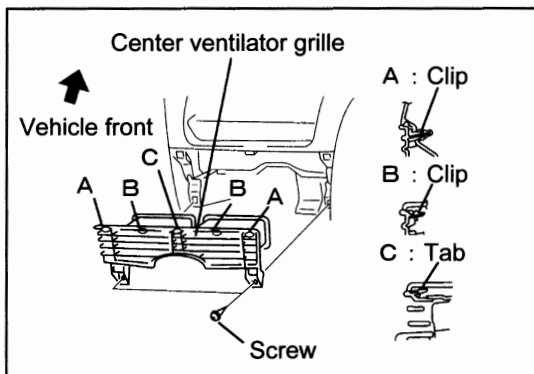
- Always wear gloves when working to protect the special paint treatment of the center panel module.
- If the painted surface becomes dirty, use a soft cloth to wipe it clean.

1. Remove the bolt (1) from the location shown in the figure.
2. Remove the screws (2) from the underside of the center panel module.
3. Pull the center panel module forward to disengage tabs A (2) and clips B (4).
4. Disconnect the connectors and antenna feeder, then remove the center panel module.

NOTE

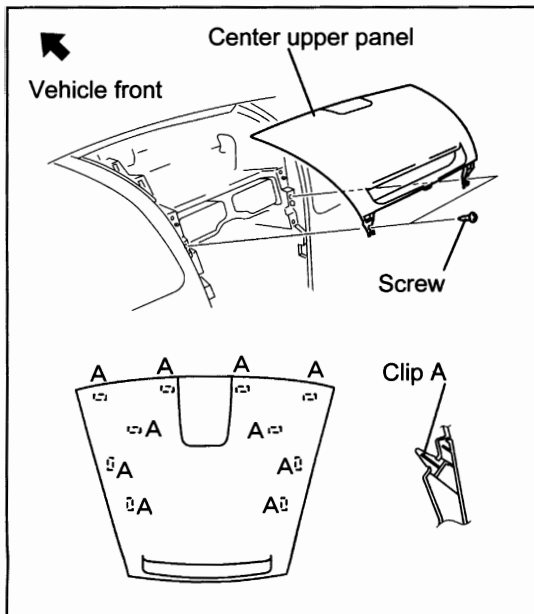
- Remove the connectors and antenna feeder after removing the center ventilator grille.

■ Installation instructions (For **Mazda RX-8** only)



CENTER VENTILATOR GRILLE REMOVAL

1. Remove the center ventilator grille screws (2).
2. Pull the center ventilator grille outward and disengage the clips A (2) and clips B (2).
3. Remove tab C, then remove the center ventilator grille.



CENTER UPPER PANEL REMOVAL

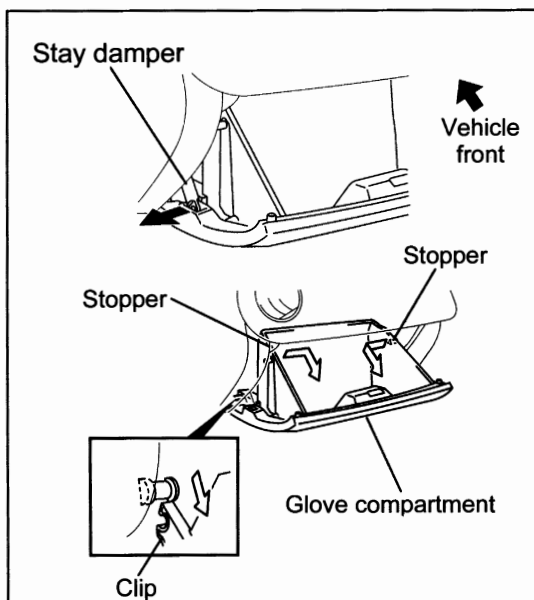
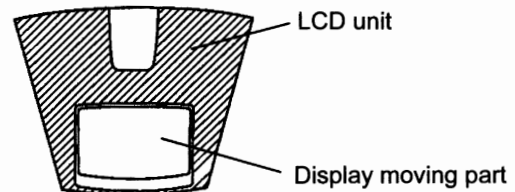
1. Remove the screws (2).
2. Pull the center upper panel outward, disengage clips A (10 locations), and then remove the center upper panel.

LCD UNIT REMOVAL (Vehicles with car navigation system only)

1. Remove the screws (2).
2. Pull the LCD unit outward, disengage clips A (8 locations), and then detach the LCD unit.
3. Disconnect the connector and remove the LCD unit.

CAUTION

- Handle the LCD unit carefully. If you apply too much stress or shock to the moving part of the display, the internal gears for opening/closing the display could become misaligned causing them to malfunction.



Glove compartment removal

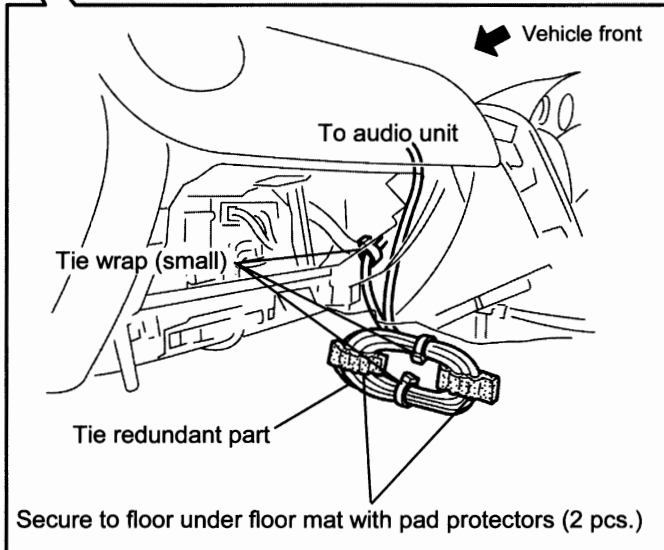
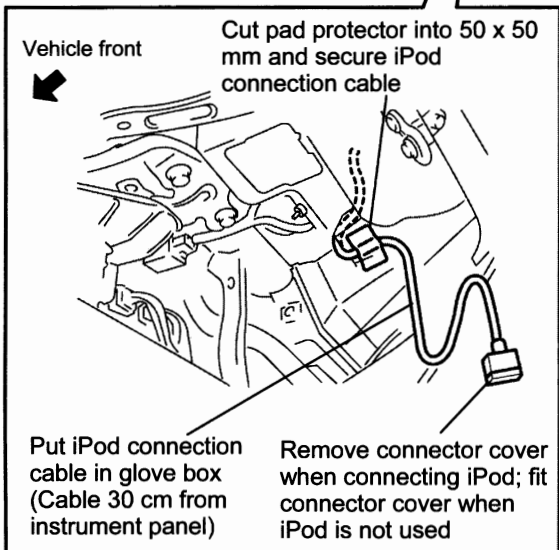
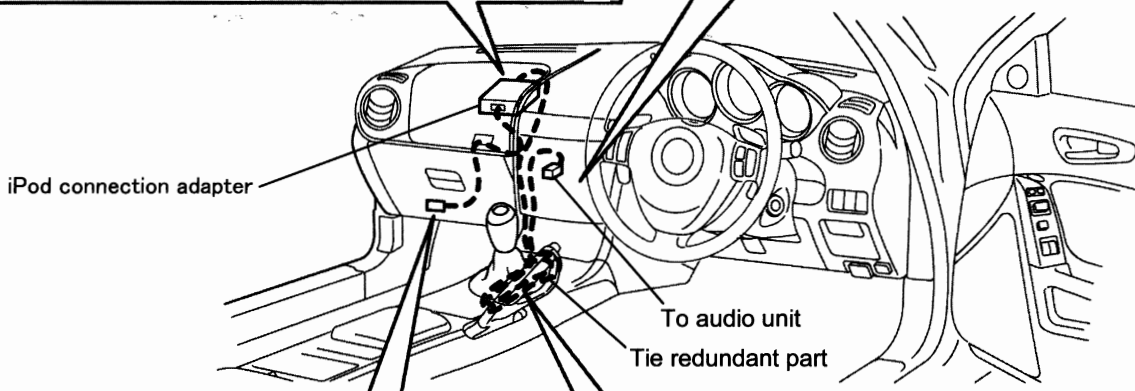
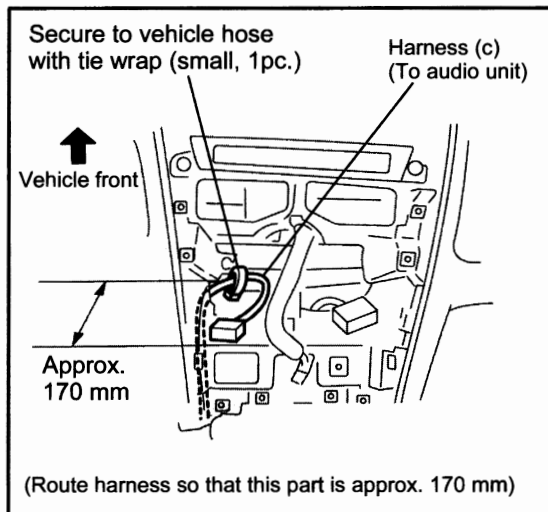
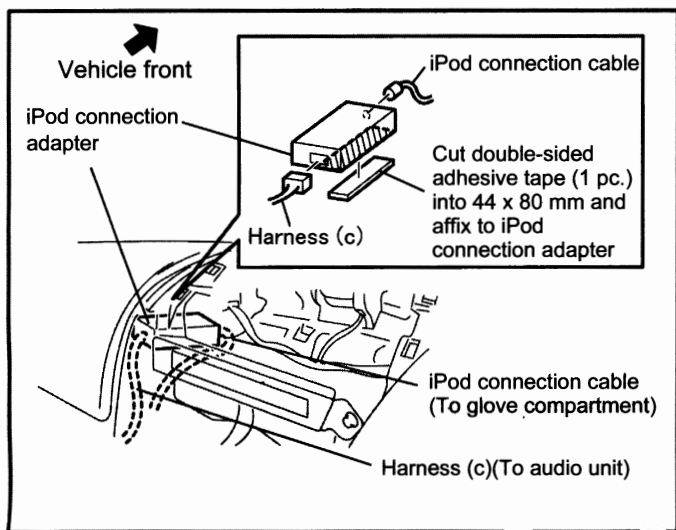
1. Pull the stay damper in the direction shown in the figure, and detach the connecting part between the glove compartment and stay damper.
2. Press the stoppers in and removal them.
3. Lower the glove compartment.
4. Detach the clips from the dashboard and remove the glove compartment.

2. INSTALLATION AND WIRING

WIRING <Installation of iPod connection adapter only>

CAUTION

- To prevent an open or short circuit in the wiring of the iPod connection adapter, be sure to route cables avoiding sharp edges and burrs on the vehicle's sheet metal.
- To ensure proper adhesion, be sure to degrease the area where the double-sided adhesive tape is to be adhered.
- After fixing a cable with a tie wrap, cut off excess tie wrap using nippers. Otherwise it may interfere with other parts causing malfunction or noise.



- Installation instructions (For **Mazda RX-8** only)

3. CONNECTION CHECK

- Connect the negative battery cable and verify that all the functions operate while referring to the applicable Owner's Manual.

CAUTION

- Disconnecting the battery causes the DSC indicator light to become inoperable.
(At this point, the DSC OFF indicator light flashes and the TCS/DSC indicator light is illuminated.)
- To restore the DSC to an operable condition, perform the following procedures:
 1. Turn the ignition switch to the ON position.
 2. Turn the steering wheel completely to the right and then completely to the left.
 3. Verify that the DSC OFF indicator light turns off.
 4. Turn the ignition switch off and then turn it to the ON position again.
 5. Verify that the TCS/DSC indicator light turns off.
If the TCS/DSC or DSC OFF indicator lights do not turn off after turning the ignition switch is turned to the ON position, consult your Mazda dealer.
- If the battery is disconnected, the automatic full open/close feature of the power window is disabled. This feature can be recovered using the following procedure.
 1. Turn the ignition switch to the ON position.
 2. Hold down the power window switch until the window is fully open.
 3. Pull up the power window switch to close the window and continue to pull it up for about two seconds after it is fully closed.
 4. If the feature does not function even after the ignition switch is turned off, contact an Authorized Mazda Dealer.